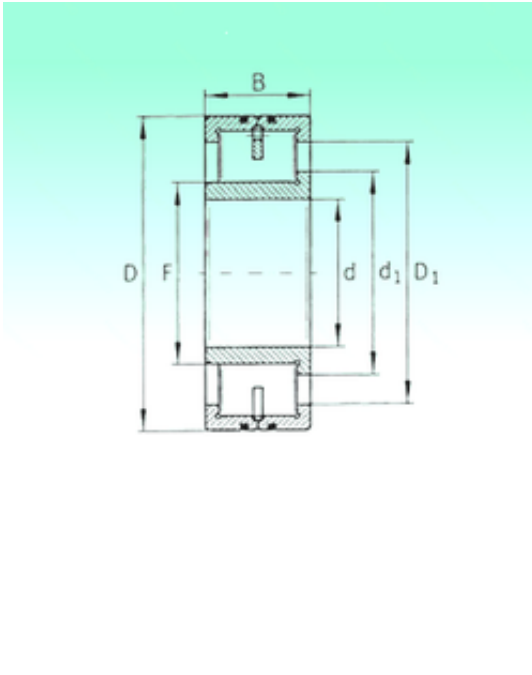




ALL TYPES BEARINGS BUSINESS CO.,LTD.



LSL192344 Bearing 2D drawings and 3D CAD models

220 mm x 460 mm x 145 mm NBS LSL192344 cylindrical roller bearings

Bearing No. LSL192344

Size	220x460x145 mm
Bore Diameter	220 mm
Outer Diameter	460 mm
Width	145 mm
d	220 mm
F	266,71 mm
D	460 mm
B	145 mm
C	145 mm
d1	297 mm
D1	385,9 mm
S	7 mm
Weight	108 Kg
Basic dynamic load rating (C)	2500 kN
Basic static load rating (C0)	3200 kN